

4" Duct (Standard):
 80 CFM/1.3 Sones @ 0.1" SP
 60 CFM/1.4 Sones @ 0.25" SP



Description

Low noise ceiling/wall mount ventilating fan with super low profile, rated for continuous running. It is UL certified, and can be used to comply with ASHRAE 62.2 (local and whole building intermittent operation).

DC Motor/Blower

- Operating voltage 32~54Vdc
- 32Vdc to 42Vdc with speed control, 43Vdc to 54Vdc at full speed
- Over 58Vdc will stop running with no harm
- Built-in soft start function
- Motor equipped with thermal cutoff fuse
- Locked rotor protection, powers OFF when impeller is locked abnormally
- Removable with permanently lubricated plug-in motor
- DC brushless motor engineered to run continuously
- Includes polarity protection, overcurrent protection and inrush protection
- Tolerates 120Vac

Housing

- Galvanized steel body
- Detachable 4" diameter duct adapter
- Built-in backdraft damper
- Wiring type: 18 AWG, Red is +48V, Blue is 0 volt, and Green is earth ground.

Grille

- Attaches directly to housing with torsion springs

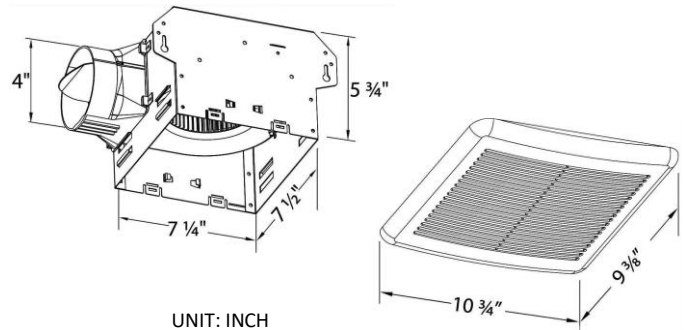
Warranty

- 3-Year limited warranty

BreezIntegrity VFB080B4A1-LVDC	4" Duct (Standard)	
Static Pressure (inches w.g.)	0.1	0.25
Air Flow (CFM)	80	60
Sones	1.3	1.4
Current (Amps)	0.23 MAX.	
Full speed Voltage (Vdc)	48	

TYPICAL SPECIFICATION

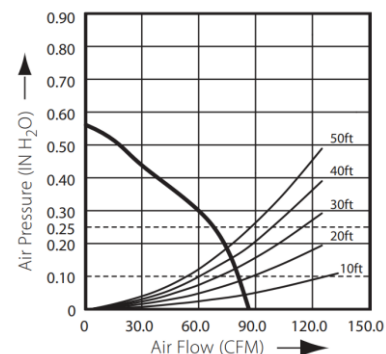
Ventilation fan shall be Delta Breez model VFB080B4A1-LVDC; qualified with Brushless DC Motor engineered to run continuously for a minimum 70,000 hours; airflow rating of 80 CFM and loudness rating of 1.3 Sones at 0.1" static pressure.



Fan speed with different input voltage at zero static pressure

Input Voltage (Vdc)	Fan Speed (RPM)	Current (A)
32	710	0.11
36	755	0.15
40	860	0.19
42	875	0.20
43	880	0.18
54	880	0.15

Fan Curve@48Vdc
Fan Curve



Model	Quantity	Comments	Project:
			Location:
			Architect:
			Engineer:
			Contractor:
			Submitted by:
			Date: