

ATX LED

100% DC low voltage

**LED Fixtures – Low Voltage
Direct 48v Operation
Built-In current limiter**

ATX LED Consultants Inc
815-A Brazos #326
Austin Tx, 78701
512 377 6052
<http://atx-led.com>

**P023R6 series, CV
(P023R11 series, CV)**

ETL 5005242 / UL 1598

Bright Cool LEDs



Product Description - low profile long life LED fixture

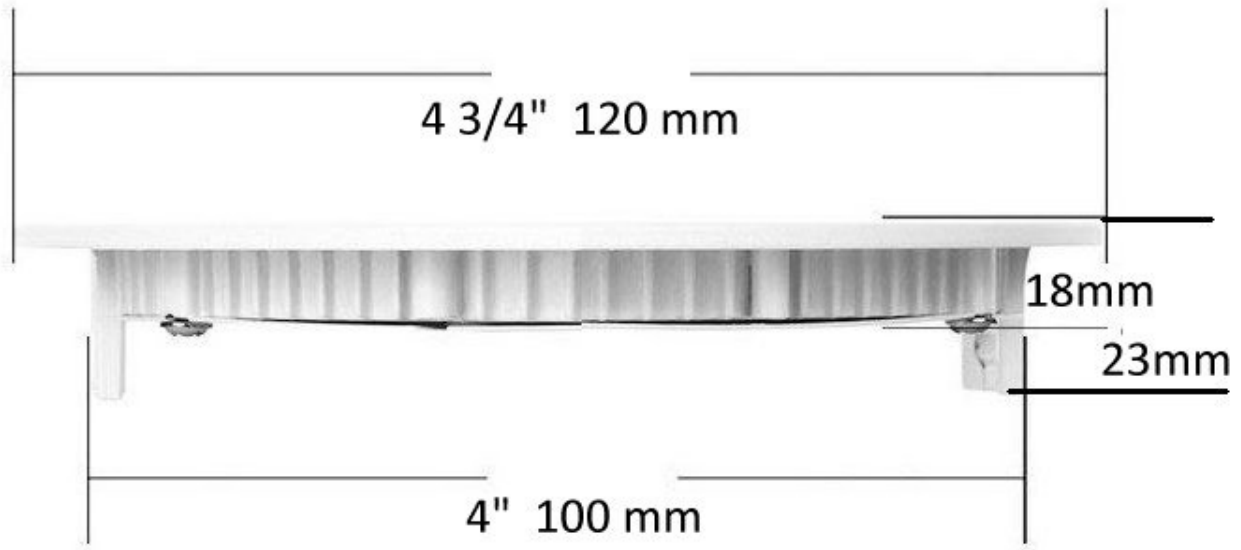
The P023R series of LED fixtures are ETL listed and IC rated for direct contact with insulation – recognizing it's cool operating temperatures and distributed heat (no hot spots).

Technical specifications

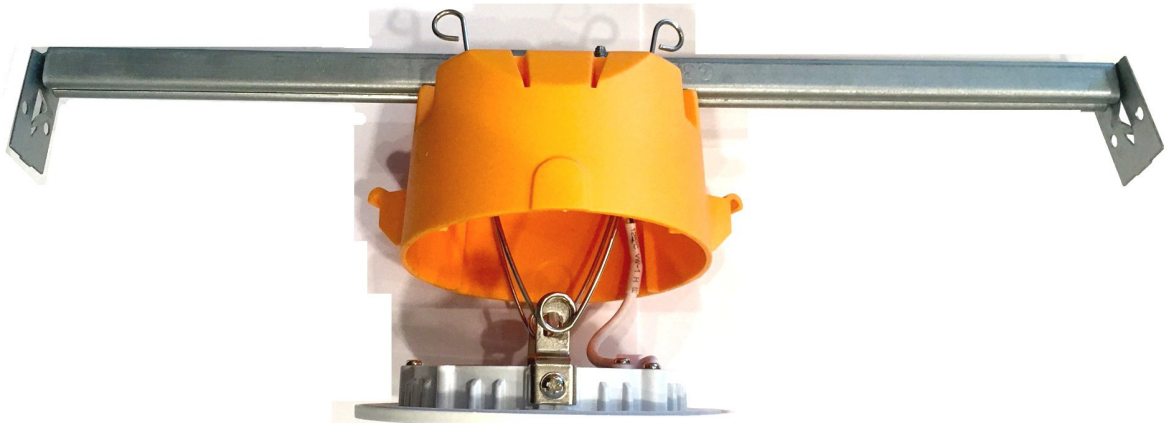
LED type	2835
CRI	90
Wattage, Operating current 6 watt (12 watt) models	6 watts 0 to120 mA , (12 watts 0-240 mA)
Inrush Current	120 mA max (240mA)
Dimming Range	Individual: 0 to 100% Group: 2.5% to 100% recommended
Lumens	540 (1080)
Color Temperature	4 options available
Operating Voltage	44 to 52 volts
Recommended wiring	Parallel wiring method
Constant Voltage	Not Recommended
Operating Temperature	Ceiling mount, -20 to 50 Deg C non condensing
IP Rating	IP65 - Suitable for indirect water exposure
IC Rated	Yes, when used with CBOX4

Panel Style LED Wafers – Low Voltage Dimmable

P023R6 (6 Watts)



[AL-CBOX4 ceiling mount Options](#)

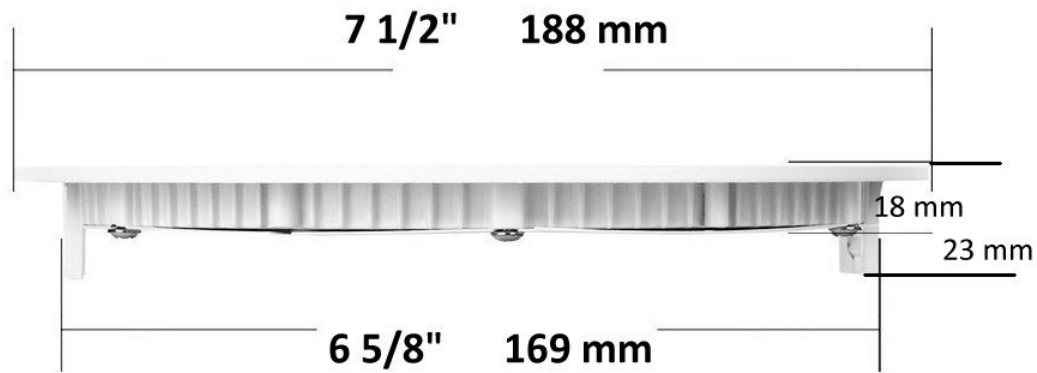


AL-CBOX4 mounting hanger bar

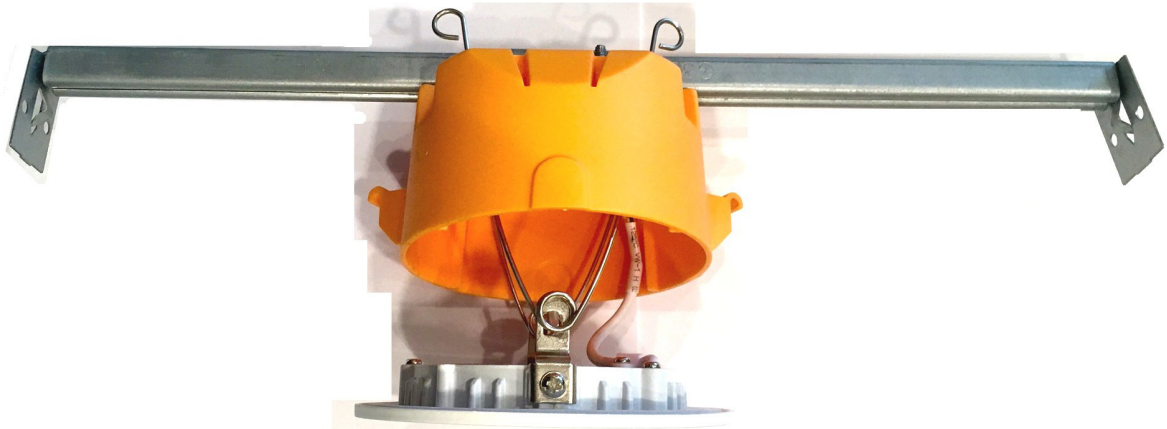
16 to 24 inch joist spacing
Supports up to 20 lbs
Flat or vertical truss attachment
See **AL-CBOX4.pdf**

Panel Style LED Wafers – Low Voltage Dimmable

P023R11 (13 Watts)



[AL-CBOX6 ceiling mount Options](#)



AL-CBOX6 mounting hanger bar

16 to 24 inch joist spacing
Supports up to 20 lbs
Flat or vertical truss attachment
See **AL-CBOX6.pdf**

Color Temperature options

Available in different color temperatures, these fixtures can be operated as a fixed color. Any 48 volt supply can be used. Up to 16x 6 watt or 8x 12 watt fixtures can be wired in series to share simple On/Off switch. That driver can be located up to 150 ft from the LEDs – since constant current eliminates the concerns about voltage drop.

This 6 watt device can be wired for either tunable white with 660 mA (9 volt) , fixed color with 660 mA (9 volt) , or fixed color with 360 mA (18 volt)

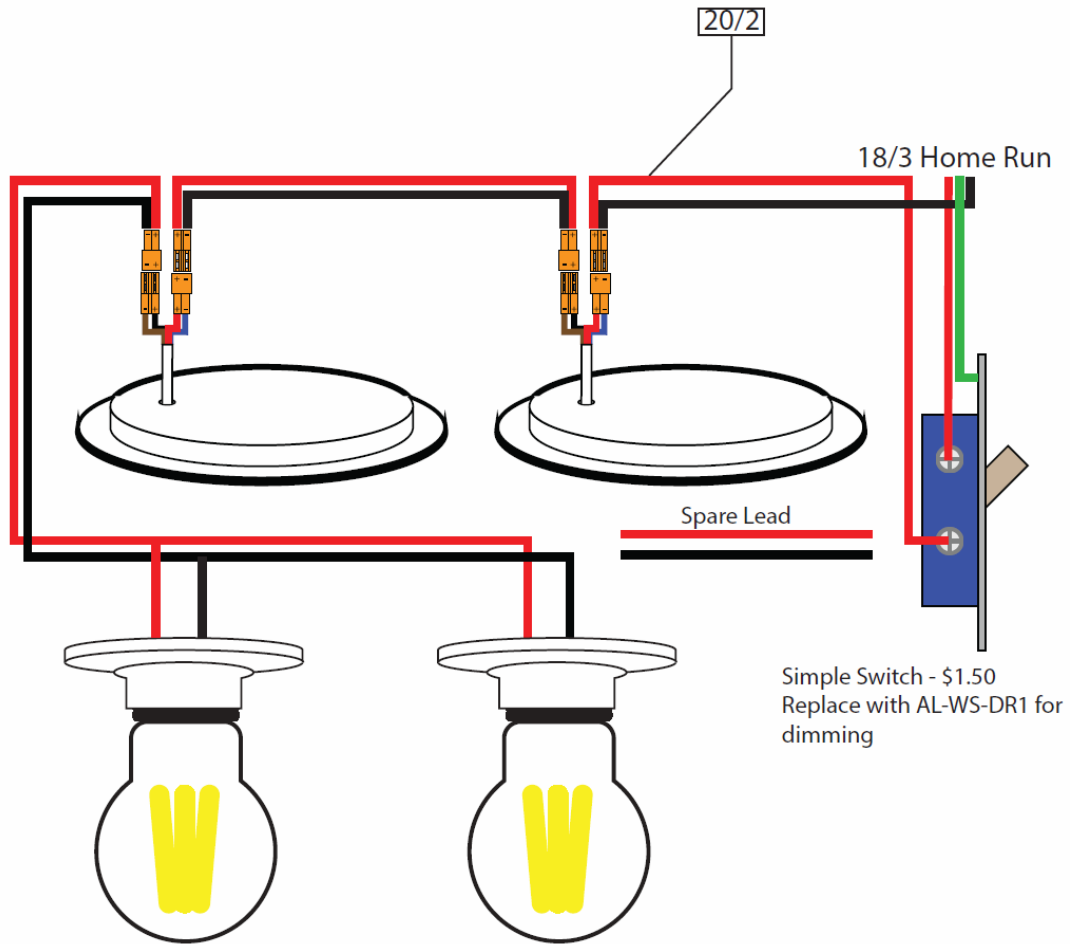
Model	2700	3000	3500	4000	5000
Fixed	*	X	X	X	*

X= Stock, * = on request

Ordering part numbers

Model	Voltage	Current	CCT	CRI	Lumens
P023R6-48v6w-3000K	7.5-9	0-48v6w	3000K	80, 90	540
P023R6-48v6w-3500K	7.5-9	0-48v6w	3500K	90	540
P023R6-48v6w-4000K	7.5-9	0-48v6w	4000K	90	540
P023R6-48v12w-3000K	7.5-9	0-48v6w	4000K	90	1080
P023R6-48v12w-3500K	7.5-9	0-48v6w	4000K	90	1080
P023R6-48v12w-4000K	7.5-9	0-48v6w	4000K	90	1080

Wiring example – simple no On/Off, upgradeable



Recommended DC Drivers with dimming

N = # of LEDs

DC drivers *	Fixed Color	WiFi	DALI
AL-WS-DR1	5		
AL-WS-DR2	10		X
AL-WS-DR2C	10		
AL-WS-DR2W	10	X	
AL-WS-DR4	16		
AL-WS-DR4W	16	X	
AL-WS-Bath	5		
AL-WS-S2**	10		
AL-WS-S4	16		

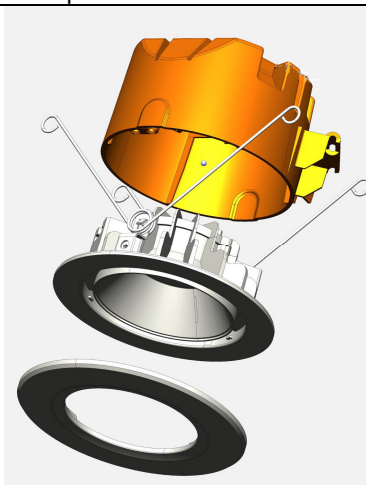
*51 volt DC input

Other LED Products from ATX LED

Model	Hole in Ceiling mm	Drill Size Inch	Finished Outside Diameter mm	Watts	Volts	Lm/W	mA	Wiring*
P023R6-660	102	4"	120	6	9	90	660	S
P023R6-48v6w	102	4"	120	6	48	90	120	P
P023R11-1440	169	6 5/8"	188	12	9	100	1440	S
P023R11-48v12W	110	4 1/4"	120	6.0	21	90	240	P
MS31008	70	3	85	5.4	9	90	600	S
DL-120	102	4	120	6	9	130	660	S
E26-A60	Bulb	-	-	6	9	80	660	S
E26-A60-48v6w	Bulb	-	-	6	48	80	120	P
E12-C35	Bulb	-	-	6	9	80	660	S
E12-C35-48v6w	Bulb	-	-	6	48	80	120	P
P023S12-1440	Strip	3/4	4500	12	9	120	1440	S

*S is serial

*P is parallel



Frosted

Filament

Filament

E26 A19

E26 A60 A19 Style

E12 C35 style

