

ATX LED

100% DC low voltage

ATX LED Consultants Inc
815-A Brazos #326
Austin Tx, 78701
512 377 6052
<http://atx-led.com>

**LED Fixtures – Low Voltage
Direct 48v Operation
Built-In current limiter**

**P023R6 series, CV
(P023R11 series, CV)**

ETL 5005242 / UL 1598

Bright Cool LEDs



Product Description - low profile long life LED fixture

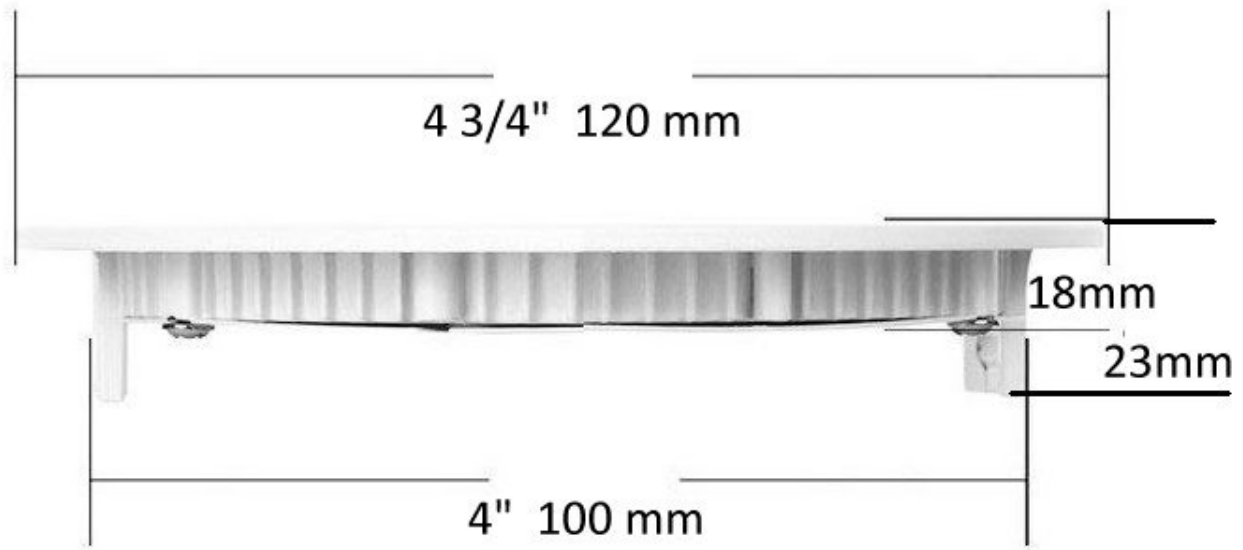
The P023R series of LED fixtures are ETL listed and IC rated for direct contact with insulation – recognizing it's cool operating temperatures and distributed heat (no hot spots).

Technical specifications

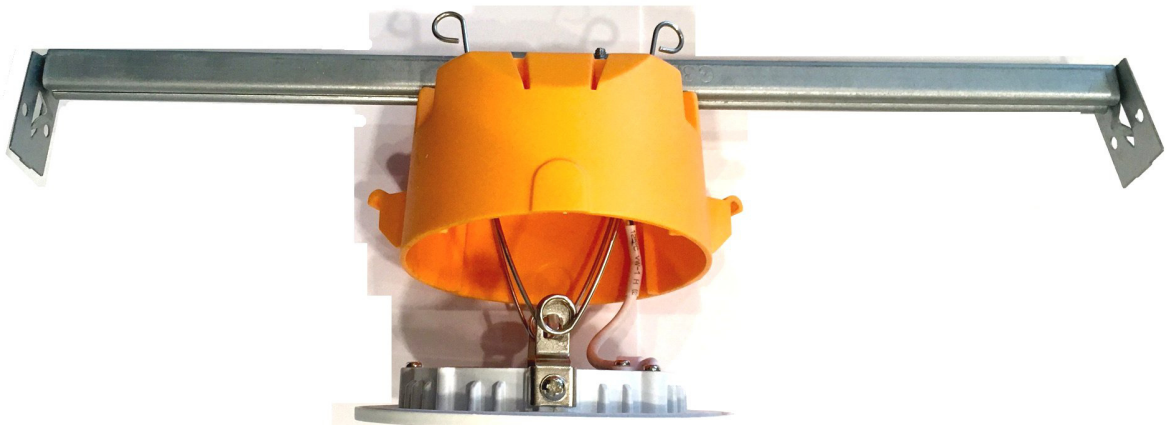
| | |
|--------------------------|--|
| LED type | 2835 |
| CRI | 90 |
| P023R6 wattage, current | 6 watts 0 to120 mA |
| P023R11 wattage, current | 12 watts 0 to240 mA |
| Inrush Current | 120 mA max / 240mA max |
| Dimming Range | Individual: 0 to 100% Group: 2.5% to 100% recommended |
| Color Temperature | 4 options available |
| Operating Voltage | 44 to 52 volts |
| Recommended wiring | Parallel wiring method |
| Constant Voltage | Not Recommended |
| Operating Temperature | Ceiling mount, -20 to 50 Deg C non condensing |
| IP Rating | IP65 - Suitable for indirect water exposure |
| IC Rated | Yes, (see AL-CBOX4 Fire Rated Rough In box) |

Panel Style LED Wafers – Low Voltage Dimmable

P023R6 (6 Watts)



[AL-CBOX4 ceiling mount Options](#)

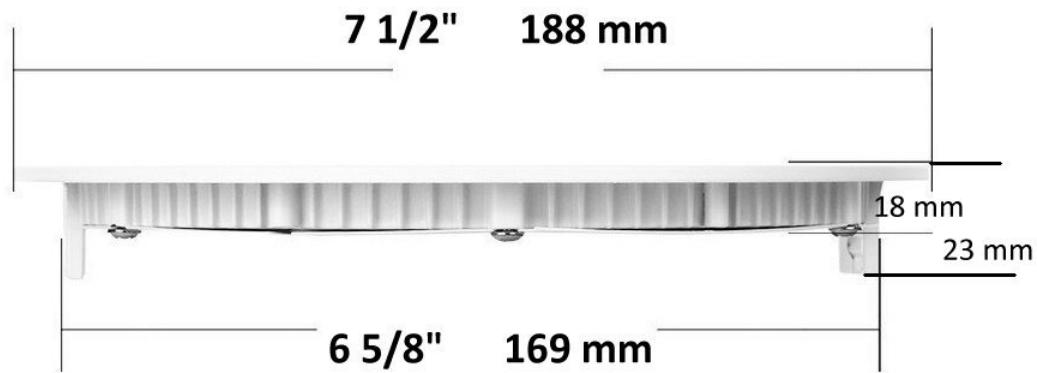


AL-CBOX4 mounting hanger bar

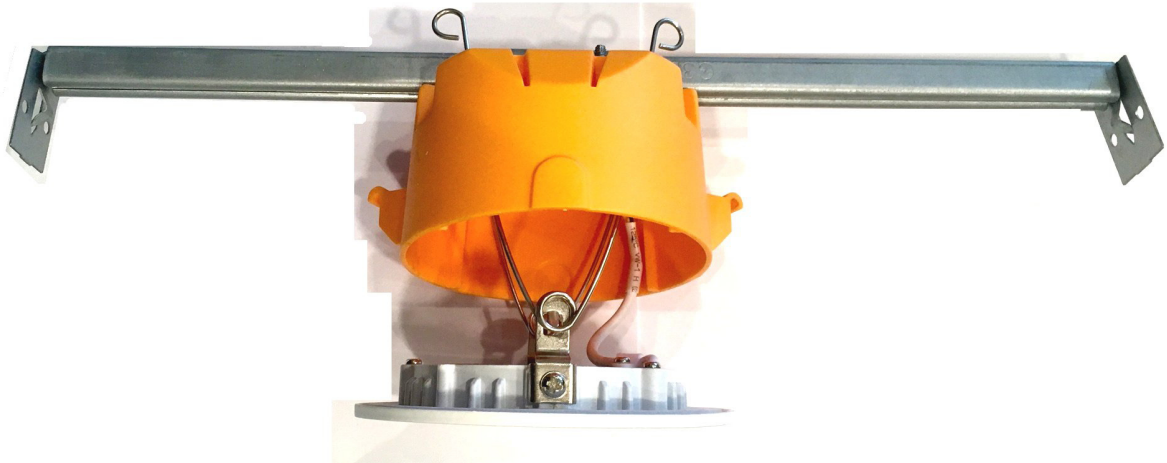
16 to 24 inch joist spacing
Supports up to 20 lbs
Flat or vertical truss attachment
See **AL-CBOX4.pdf**

Panel Style LED Wafers – Low Voltage Dimmable

P023R11 (13 Watts)



[AL-CBOX6 ceiling mount Options](#)



AL-CBOX6 mounting hanger bar

16 to 24 inch joist spacing
Supports up to 20 lbs
Flat or vertical truss attachment
See **AL-CBOX6.pdf**

Color Temperature options

Available in different color temperatures, these fixtures can be operated as a fixed color. Any 48 volt supply can be used. Up to 16x 6 watt or 8x 12 watt fixtures can be wired in series to share simple On/Off switch. That driver can be located up to 150 ft from the LEDs – since constant current eliminates the concerns about voltage drop.

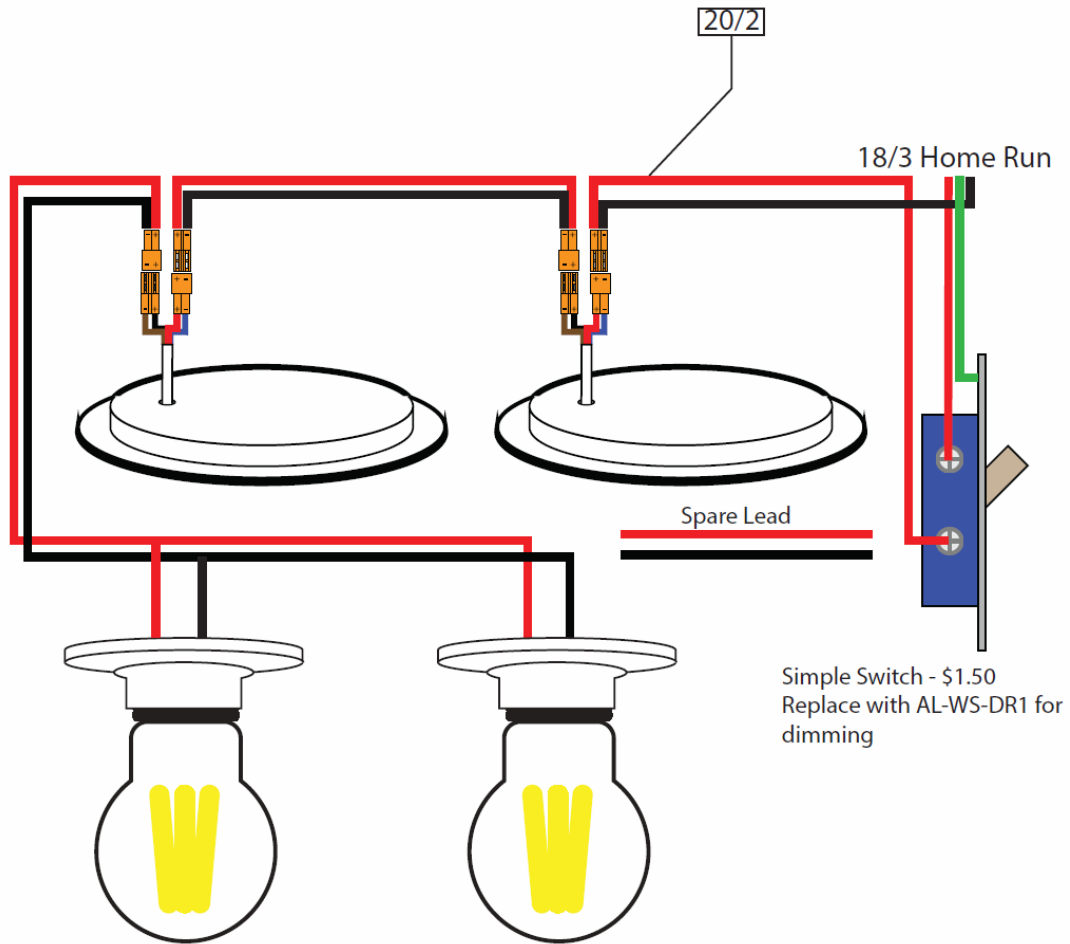
| Model | 2700 | 3000 | 3500 | 4000 | 5000 |
|-------|------|------|------|------|------|
| Fixed | * | X | X | X | * |

X= Stock, * = on request

Ordering part numbers

| Model | Voltage | Current | CCT | CRI | Lumens |
|----------------------|---------|---------|-------|-----|--------|
| P023R6-48v6w-3000K | 44-52 | 0-120mA | 3000K | 90 | 540 |
| P023R6-48v6w-3500K | 44-52 | 0-120mA | 3500K | 90 | 540 |
| P023R6-48v6w-4000K | 44-52 | 0-120mA | 4000K | 90 | 540 |
| P023R11-48v12w-3000K | 44-52 | 0-240mA | 3000K | 90 | 1080 |
| P023R11-48v12w-3500K | 44-52 | 0-240mA | 3500K | 90 | 1080 |
| P023R11-48v12w-4000K | 44-52 | 0-240mA | 4000K | 90 | 1080 |

Wiring example – simple no On/Off, upgradeable



Recommended DC Drivers with dimming

N = # of LEDs

| DC drivers * | Fixed Color | WiFi | DALI |
|--------------|-------------|------|------|
| AL-WS-DR1 | 5 | | |
| AL-WS-DR2 | 10 | | X |
| AL-WS-DR2C | 10 | | |
| AL-WS-DR2W | 10 | X | |
| AL-WS-DR4 | 16 | | |
| AL-WS-DR4W | 16 | X | |
| AL-WS-Bath | 5 | | |
| AL-WS-S2** | 10 | | |
| AL-WS-S4 | 16 | | |

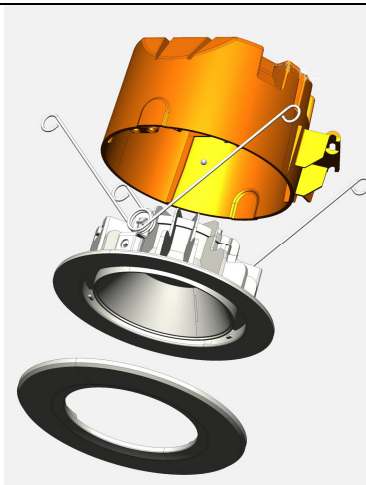
*51 volt DC input

Other LED Products from ATX LED

| Model | Hole in Ceiling mm | Drill Size Inch | Finished Outside Diameter mm | Watts | Volts | Lm/W | mA | Wiring* |
|----------------|-----------------------|--------------------|---------------------------------|-------|-------|------|------|---------|
| P023R6-660 | 102 | 4" | 120 | 6 | 9 | 90 | 660 | S |
| P023R6-48v6w | 102 | 4" | 120 | 6 | 48 | 90 | 120 | P |
| P023R11-1440 | 169 | 6 5/8" | 188 | 13 | 9 | 100 | 1440 | S |
| P023R11-48v12W | 110 | 4 1/4" | 120 | 6.0 | 21 | 90 | 240 | P |
| MS31008 | 70 | 3 | 85 | 5.4 | 9 | 90 | 600 | S |
| DL-120 | 102 | 4 | 120 | 6 | 9 | 130 | 660 | S |
| E26-A60 | Bulb | - | - | 6 | 9 | 80 | 660 | S |
| E26-A60-48v6w | Bulb | - | - | 6 | 48 | 80 | 120 | P |
| E12-C35 | Bulb | - | - | 6 | 9 | 80 | 660 | S |
| E12-C35-48v6w | Bulb | - | - | 6 | 48 | 80 | 120 | P |
| P023S12-1440 | Strip | 3/4 | 4500 | 13 | 9 | 120 | 1440 | S |

*S is serial

*P is parallel



DL-120



DL-100



RL-E12



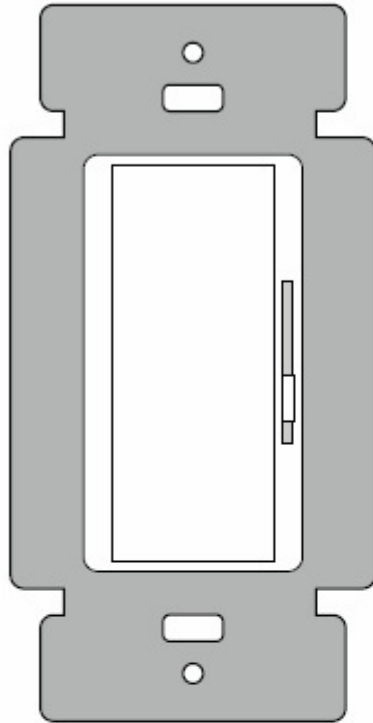
ATX-E26



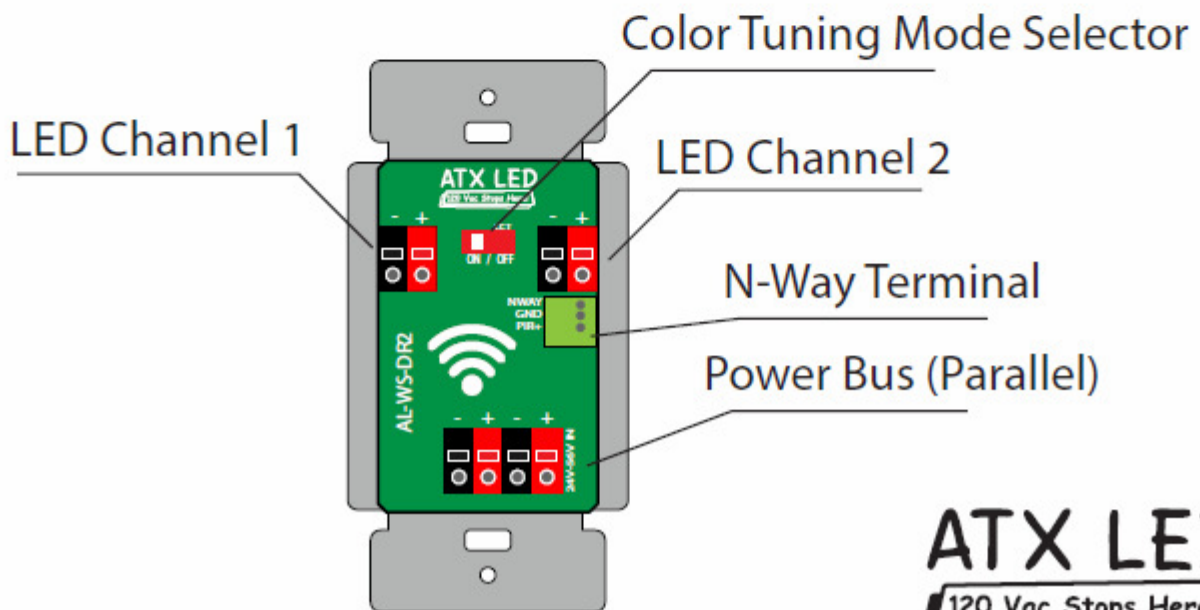
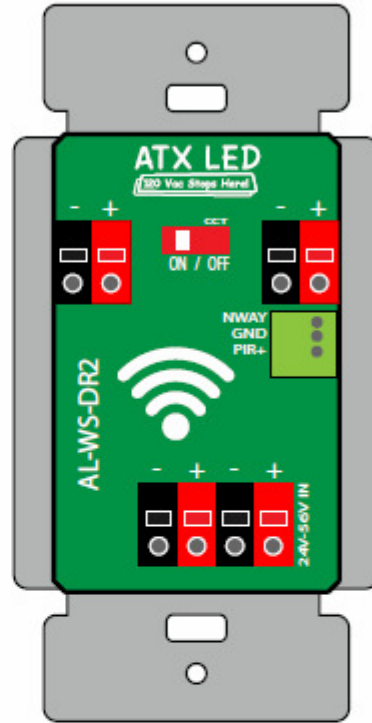
RL-E26

Meet the DR2

The DR2 is the heart of the entire system. From the front it looks like a typical style wall switch with a slide dimmer. This is where the driver for the LEDs is located. The DR2 uses current control technology to provide perfect dimming to each of its corresponding LEDs. There are several different types of DR2 available, depending on application.



Front



ATX LED
120 Vac Stops Here!