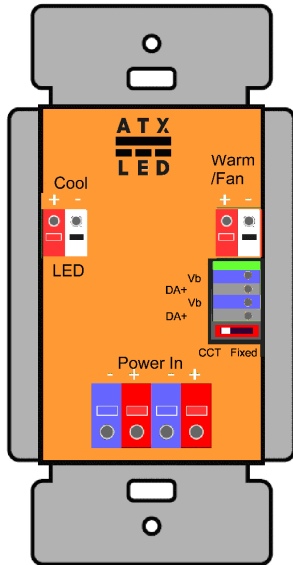




# ATX Exhaust Fan Switches

## Bathroom Lights / Fan switches



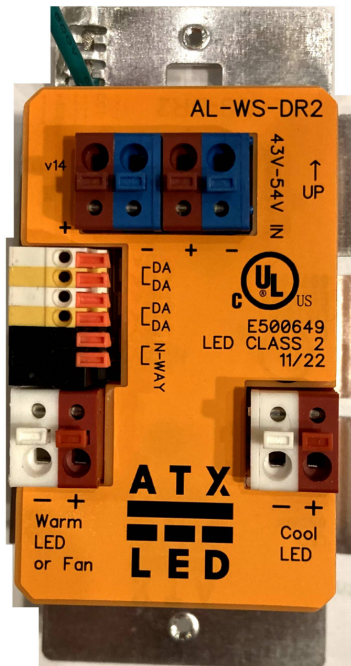
### *AL-WS-DR2C*

**LED + 12v Fan with timer  
without automation**

The AL-WS-DR2C has the capability of running a 12v DC bathroom fan and up to 24 watts of dimmable LED lights.

The fan is automatically detected.

This switch may be used stand alone or with a AL-WS-M for individual Exhaust Fan control



### *AL-WS-DR2*

**LED + 12v Fan with timer  
and automation**

The AL-WS-DR2 has the capability of running a 12v DC bathroom fan and up to 24 watts of dimmable LED lights.

The fan is automatically detected.

This switch may be used stand alone or with a AL-WS-M for individual Exhaust Fan control

### **48v FAN without timer**

A simple On/Off switch can be used if the power supply is 36 to 54 volts

# Connecting the Fan switch

## Connect the AL-WS-M to the N-Way of the AL-WS-DR2

If no AL-WS-M is connected, the Fan will turn on with the light. If the AL-WS-M is connected, the Fan will operate from a timer and will turn on automatically after a delay

