

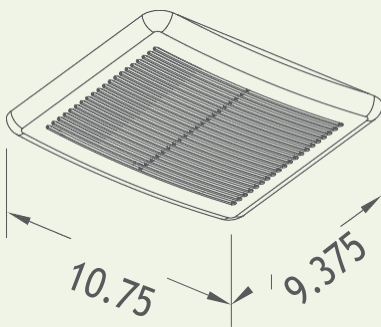
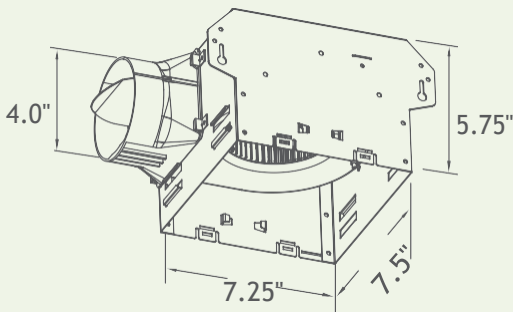


# ATX BreezIntegrity Specifications



ATX  
FAN 80-  
12v  
(80 CFM)

## Dimensions



## Description

Low noise ceiling mount ventilating fan with low profile, rated for continuous running. Fan has been awarded ENERGY STAR®. It uses the ITG80 assembly which is HVI, UL, and cUL certified, and can be used to comply with ASHRAE 62.2 (local and whole building continuous and intermittent operation). The adaptation to 12 is pending UL.

## Motor/Blower

- Power Rating of 12v 800mA
- DC Brushless motor engineered to run continuously
- Motor equipped with thermal cutoff fuse
- Removable with permanently lubricated plug-in motor

## Housing

- Galvanized steel body
- Detachable 4" diameter plastic duct adapter
- Built-in backdraft damper
- Easy installation

## Grille

- Attractive design using ABS material
- Attaches directly to housing with torsion springs

## Warranty

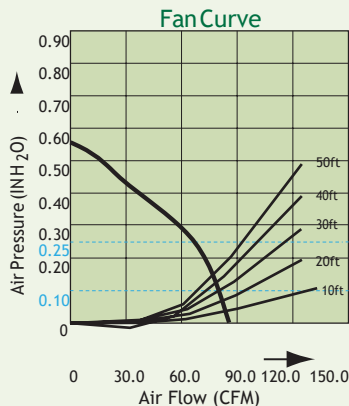
- 3-year limited warranty

## Features

- For ceiling mount only, airflow of 80CFM(±10%) and 1.3Sones at 0.1 static pressure
- Power consumption approximately 9.5 Watts with an efficiency rating approximately 8.5CFM/Watt at 0.1 static pressure
- Duct diameter no less than 4"
- UL and cUL listed for tub/shower enclosure when used with GFCI-protected branch circuit wiring

## DC Motor Technology

- Built in soft start function to increase bearings life
- Automatically powers OFF when impeller is locked abnormally



ATX FAN 80-12v	4" Duct (Standard)	
Static Pressure (Inches w.g.)	0.1	0.25
Air Flow (CFM)	80	68
Sones	1.3	1.4
Power Consumption (Watts)	9.5	10.3
Energy Efficiency (CFM/Watt)	8.4	6.6
Current (Amps)	1A Max	
Power Rating (V/A)	12/.8	
Project Pack Components Available ATX-A (housing) and ATX80-B (motor grille)		

