



3" Duct (Standard):  
70 CFM/2.0 Sones @ 0.1" SP  
54 CFM/1.5 Sones @ 0.25" SP



### Description

Low noise ceiling/wall mount ventilating fan with super low profile, rated for continuous running. It uses the SLM70 assembly which is ENERGY STAR®-qualified, and is HVI, UL, and cUL certified, and can be used to comply with ASHRAE 62.2 (local and whole building intermittent operation). The adaptation to 48v is pending UL.

### DC Motor/Blower

- Working voltage 44-56 Vdc
- Built in polarity protection and current fuse
- 802.3af mode A and Mode B supported
- No attention to polarity on mode A needed
- Mode B uses 4,5+ and 7,8-
- Insulation strength 10M Ohm (Min.)
- Dielectric strength 700VAc 60Hz
- Start-up inrush current limited to 100 mA, operation at 240 mA
- Built-in soft start function to preserve bearing life
- Motor equipped with thermal cutoff fuse
- Locked rotor protection, powers OFF when impeller is locked abnormally
- Removable with permanently lubricated plug-in motor
- DC brushless motor engineered to run continuously

### Housing

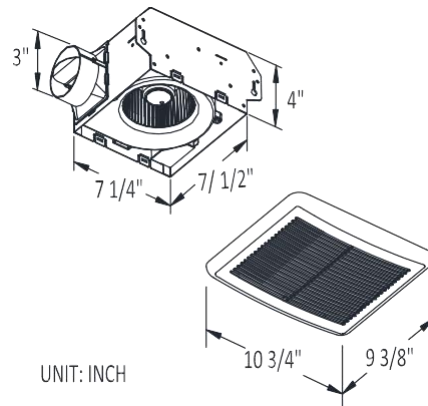
- Galvanized steel body
- Detachable 3" diameter duct adapter
- Built-in backdraft damper
- Wiring connector type RJ-45, 802.3af

### Grille

- Attaches directly to housing with torsionsprings

### TYPICAL SPECIFICATION

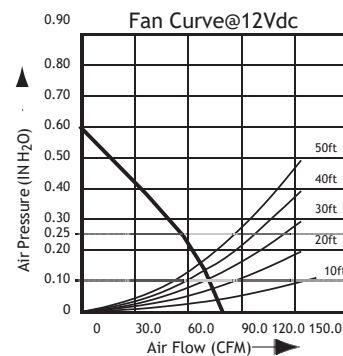
Ventilation fan shall be model ATX70-PoE; ENERGY STAR qualified with Brushless DC Motor engineered to run continuously for a minimum 70,000 hours; airflow rating of 70 CFM and loudness rating of 2.0 Sones at 0.1" static pressure as certified by the Home Ventilating Institute (HVI).



Fan speed with input voltage

Input Voltage (Vdc)	Fan Speed (RPM)	Current (A)
48	1170	0.3

BreezSlim ATX70-LVDC	3" Duct (Standard)	
Static Pressure (inches w.g.)	0.1	0.25
Air Flow (CFM)	70	54
Sones	2.0	1.5
Current (Amps)	300mA MAX.	
Working Voltage (Vdc)	48	



Model	Quantity	Comments	Project:
			Location:
			Architect:
			Engineer:
			Contractor:
			Submitted by:
			Date: