



**3" Duct (Standard):**  
50 CFM/1.0 Sones @ 0.1" SP  
36 CFM/1.2 Sones @ 0.25" SP



### Description

Low noise ceiling/wall mount ventilating fan with super low profile, rated for continuous running. It uses the SLM50 assembly which is ENERGY STAR®-qualified, and HVI, UL, and cUL certified, and can be used to comply with ASHRAE 62.2 (local and whole building intermittent operation). The adaptation to 12v is pending UL.

### DC Motor/Blower

- Working voltage 12Vdc, operating voltage 8-12Vdc
- Insulation strength 10M Ohm (Min.)
- Dielectric strength 700VAc 60Hz
- Start-up inrush current limited to 240 mA non-inductive load
- Built-in soft start function to preserve bearing life
- Motor equipped with thermal cutoff fuse
- Locked rotor protection, powers OFF when impeller is locked abnormally
- Removable with permanently lubricated plug-in motor
- DC brushless motor engineered to run continuously

### Housing

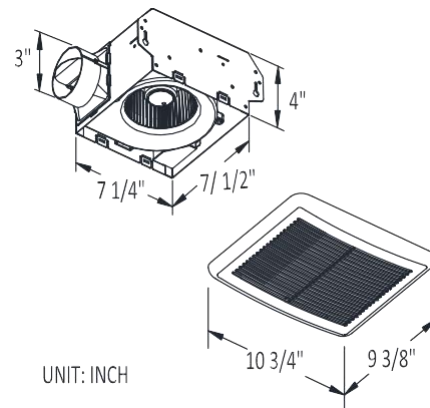
- Galvanized steel body
- Detachable 3" diameter duct adapter
- Built-in backdraft damper
- Wiring connector type
- Brand: Eby Optoelectronic Technology Co., Ltd
- Model number: OJ-606

### Grille

- Attaches directly to housing with torsion springs

### TYPICAL SPECIFICATION

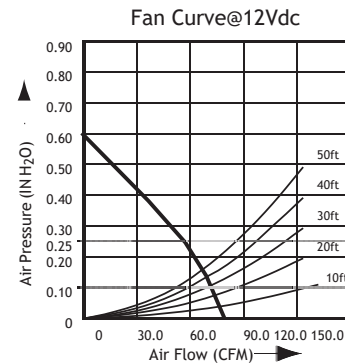
Ventilation fan shall be ATX Breez model ATX50-LVDC; ENERGY STAR qualified with Brushless DC Motor engineered to run continuously for a minimum 70,000 hours; airflow rating of 50CFM and loudness rating of 1.0 Sones at 0.1" static pressure as certified by the Home Ventilating Institute (HVI).



Fan speed with different input voltage

Input Voltage (Vdc)	Fan Speed (RPM)	Current (A)
12	670	0.23
11	650	.22
10	615	.21
9	580	.2
8	550	.19
7	530	.18

BreezSlim ATX50-LVDC	3" Duct (Standard)	
Static Pressure (inches w.g.)	0.1	0.25
Air Flow (CFM)	50	36
Sones	1	1.2
Current (Amps)	.3 MAX. (0.2 TYP.)	
Working Voltage (Vdc)	12	



Model	Quantity	Comments	Project:
			Location:
			Architect:
			Engineer:
			Contractor:
			Submitted by:
			Date: