

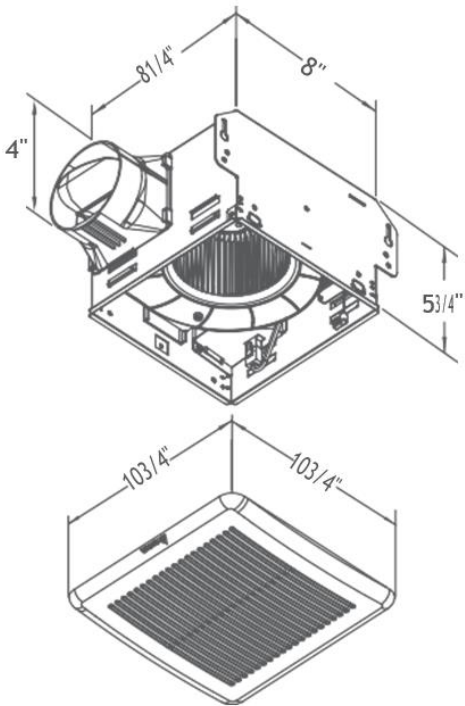


ATX FAN 100-12v Specifications



ATX FAN
100-12v
(100
CFM)

Dimensions



Grille for Fan Only

Description

Low noise ceiling mount ventilating fan with low profile, rated for continuous running. Fan has been awarded ENERGY STAR®. It uses the GBR100 assembly which is HVI, UL, and cUL certified, and can be used to comply with ASHRAE 62.2 (local and whole building continuous and intermittent operation). The adaptation to 12v is pending UL.

Motor/Blower

- Power Rating of 12v 840mA (10W)
- DC Brushless motor engineered to run continuously
- Motor equipped with thermal cutoff fuse
- Removable with permanently lubricated plug-in motor

Housing

- Galvanized steel body
- Detachable 4" diameter plastic duct adapter
- Built-in backdraft damper
- Easy installation

Grille

- Attractive design using ABS material
- Attaches directly to housing with torsion springs

Features

- For ceiling mount only, airflow of 100CFM(±10%) and 1.4Sones at 0.1 static pressure
- Power consumption approximately 10 Watts with an efficiency rating approximately 7.9CFM/Watt at 0.1 static pressure
- Duct diameter no less than 4"
- UL and cUL listed for tub/shower enclosure when used with GFCI-protected branch circuit wiring

DC Motor Technology

- Built in soft start function to increase bearings life
- Automatically powers OFF when impeller is locked abnormally

Specifications

ATX FAN 100-12v	4" Duct (Standard)	
Static Pressure (Inches w.g.)	0.1	0.25
Air Flow (CFM)	100	77
Sones	1.4	1.5
Power Consumption (Watts)	10	11
Energy Efficiency (CFM/Watt)	7.9	5.7
Current (Amps)	1A Max	
Power Rating (V/A)	12/.84	

Fan Curve

