



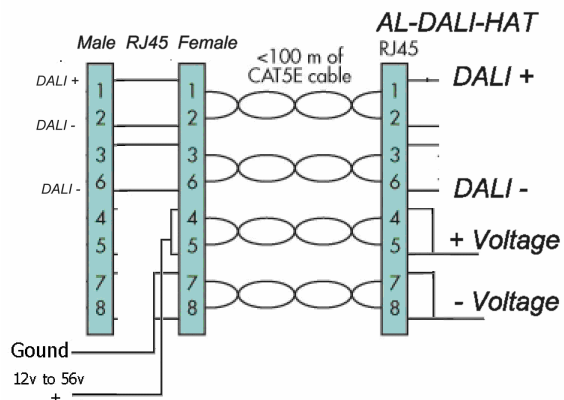
POE-Inline Injector for AL-DALI-HAT

10/100 Ethernet, can be used as PoE injector and DALI connection to AL-DALI-HAT



Power In, Data

PoE out



- 1 Port 10/100 Ethernet device used as PoE Injector for DALI systems
- Size: 3 x 1.3 x .8 inches (76 mm x 29mm x 22mm)
- Inline
- Standard power connector - 2.1mm x 5.5mm
- Mode B operation
 - pins 4, 5 (+)
 - pins 7, 8 (-)
- Power is always on
 - no auto-negotiation
- Available in 4, 8, 12, 16, 24 port versions

Please connect #2 and #6 together

Then - #1 and #2,6 to your DALI bus

Normally polarity is not important

If you are using an external DALI power supply – then please observe + and -