



Austin Led Consultants

DMX and Led power over ethernet

Austin Led Consultants Inc
815-A Brazos #326
Austin Tx, 78701
512 377-6052

<http://atxled.com>



White Light PL-POE-Flood with motion detection

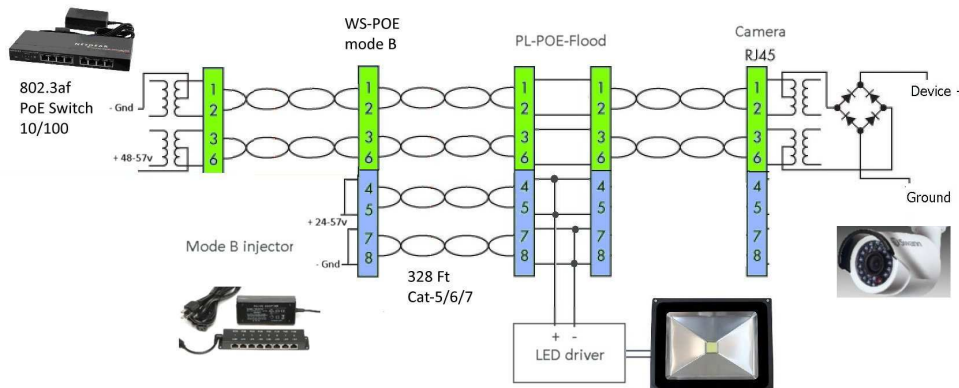
Mode B with PoE repeater function

Product Description - PL-POE-Flood-B

This Floodlight is powered by Ethernet cable! You can now add motion controlled light anywhere – without the need for 110v wiring. Bright 8 watts of long lifetime LED lighting is activated by a Passive Infrared Receiver (PIR). This device allows two power feeds on one CAT-5e line. A camera power and data at 10/100 speeds, while the same Ethernet cable powers a bright white light. High definition IP Cameras can capture full color images instead of B/W infrared. PIR detection for motion activation of the LED light deters unwanted visitors. Since the PL-POE-Flood also has a male and female RJ45 – you can attach a PoE Camera and LED floodlight from the same CAT-5e cable up to 328 ft from the source. The attached 2nd device can be a Camera, a WiFi Access Point or a PL-AT-Flood for double the light.

With Power over Ethernet there are two modes A and B. Mode A has power & data on pins 1,2 and 3,6 – this is for the attached camera or other 802.3af device. Mode B is power on pins 4,5 and 7,8. The PL-POE-Flood-B uses mode B for LED power, while passing Power & Data on mode A thru the device untouched, out to a camera, a WiFi-Access point or a PL-AT-Flood LED. This design allows 2 devices to share one CAT-5e line. Here is how this is done.

Mode A from your PoE switch mode B from our passive mode B injector

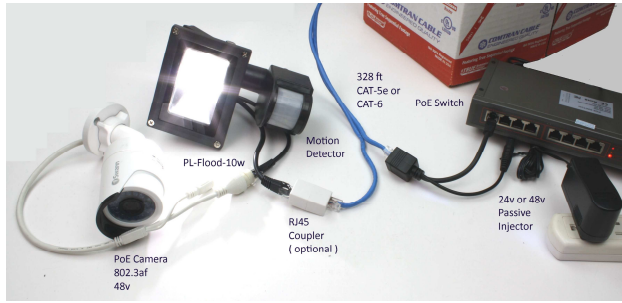


Your existing standard PoE switch supplies 48 or 56 volts DC for the device in mode A, and our PoE injector adds independent mode B power for the LED. Since these are on different pins of the RJ45 – it works well. With this method, our injectors from 1 to 24 ports are recommended for LED power on mode B, while 2nd device power comes from the PoE switch or injector on mode A pins.

The mode A power source can also be any WiFi Texas brand device like the WT-GPOE wall mount or rack mount device

Specifications

Power source and 802.3af passthru	RJ 45 female connector (mode A and mode B input)
802.3af passthru output	RJ 45 male connector (802.3af mode A up to 25 watts) 15 cm between Male and Female connectors
Input voltage range	36v to 57 volts
LED Power pins in	+48v on 4&5 and -48v on 7&8 from passive PoE injector
Passthru Power and Data pins in	1&2 and 3&6 from PoE switch – unmodified passthru
Max Power consumption	9 watts in for 8 watts of LED light 17 watts in for 16 watts of LED light
Input Current at 48v	200 ma input delivers 8 watts to LED
Motion Detection	Passive PIR, adjustable
LED Color Temperature	Warm White, 4000 °K
Operating Temperature	0°C ~ 50°C
Size	225 x 250 x 185 mm with 200 cm cord



Daisy Chaining

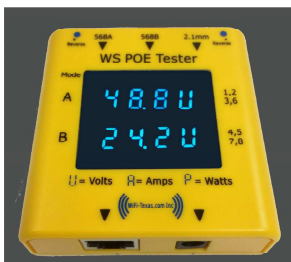
To power more than one PoE-Flood from one CAT-5e line, use our WS-POE-8-ENC at the remote end, it will duplicate the Mode B power and let mode A thru. Or, you can use a WT-AF-Flood mode A device instead of the camera. * production model has 2 mtr cord with female and male RJ45

Motion Detection dials

	Clockwise = maximum		
	Knob	Min	Max
	Sens	5 ft	35 ft
	Time	5 sec	120 sec
	Lux	Night only	Day and night

Order information for PoE Flood options

White LED - Mode B	Share camera and light on one Cat-5e
PL-POE-Flood-8w (48v passive PoE)	8 watt – power on pins 4&5: 7&8 pass thru 1&2: 3&6
PL-POE-Flood-8w-kit	As above, with injector for one floodlight
PL-POE-Flood-20w	20 watt – power on pins 4&5: 7&8 pass thru 1&2: 3&6
Infrared LED - Mode B	Share camera and light on one Cat-5e
PL-POE-IR-6w (24v passive PoE)	6 watt – power on pins 4&5: 7&8 pass thru 1&2: 3&6
PL-POE-IR-6w-kit	6 watt – power on pins 4&5: 7&8 pass thru 1&2: 3&6
LED order codes – 802.3af/at	Works with any PoE switch
PL-AF-Flood-8w 802.3af	8 watt – power on pins 1,2: 3,6 802.3af switch compatible
PL-AT-Flood-20w 802.3at	20 watt – power on pins 1,2: 3,6 802.3at switch compatible
Multiport Injectors	Add on to any switch
WS-POE-8-48v60w	Mode B Injector add-on for PoE switches to add 7 Flood-LEDs, wall mount, mode A passthru
WS-POE-12-48v120w	Mode B Injector add-on for PoE Switches to add 12 Flood-LEDs, rack mount, mode A passthru



PoE- watt meter



20 Watt, always on



mode B passthru Flood