



PL-PoE-DMX-Switch wall dimmer with DMX output



Product Description - PL-DMX-Switch

This DMX controller in a standard residential style outline fits into any home, looks like any switch yet requires no licensed electrician for installation – the dimmer itself uses only 20 mw yet controls thousands of watts of lighting. It operates in single or N-way light control, with dimming, and can be ganged for up to 8 units from a single cat-3 cable.

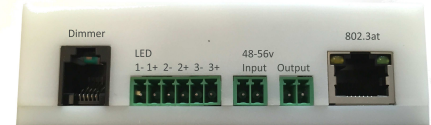
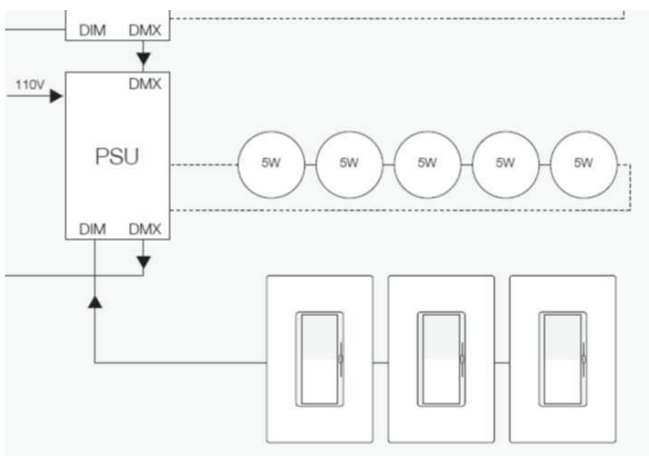
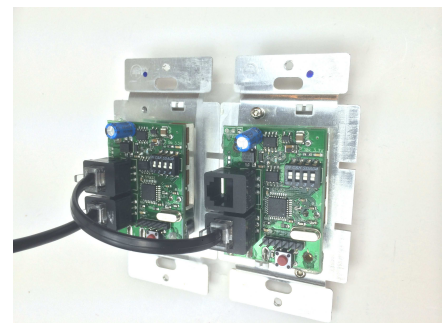
Intended for use with PL series low voltage LED drivers, this switch operates just like any standard residential light switch – however it uses DMX512 for communication with other devices. It is the easiest to install indoor lighting solution. The PL-DMX-Switch takes power from the any PL series LED driver, up to 1000 ft over standard CAT-3 2 pair telephone wire.

The PL-DMX-Switch can be daisy chained with up to 8 on one telephone type wire connection. Each one has 16 addresses for controlling 16 PL-Drivers individually or 8 PL-Drivers in N-way mode. N-Way switching controls lights from opposite sides of a room, or long hallway, or across stairways on multiple floors with one switch per floor.

Fully scalable to a 512 light DMX universe, this building block in a 100% low voltage led lighting solution allows low cost installations of light in new and remodel construction.

Specifications

Power and data source and load	RJ 11 female connectors (2)
Power Protocol	Passive
Input voltage range	12v to 57 volts
Power pins in	1 and 4 from PL type LED driver
Data pins (DMX512 over Rj11)	2 and 3
Max Power consumption	50 milliwatts
Addressing	16 unit addresses via dip switch 8 unit addresses in N-way mode
Protection	Reverse protection and static protection
Operating Temperature	0°C ~ 50°C
Size	115 x 46 x 50 mm



PL-Driver



PL-PoE-DMX-Switch wall dimmer with DMX output



Product Description - PL-DMX-Switch

This DMX controller in a standard residential style outline fits into any home, looks like any switch yet requires no licensed electrician for installation – the dimmer itself uses only 20 mw yet controls thousands of watts of lighting. It operates in single or N-way light control, with dimming, and can be ganged for up to 8 units from a single cat-3 cable.

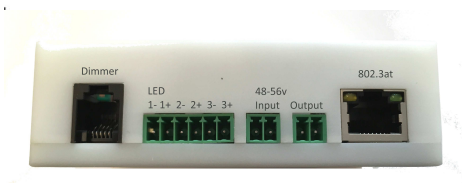
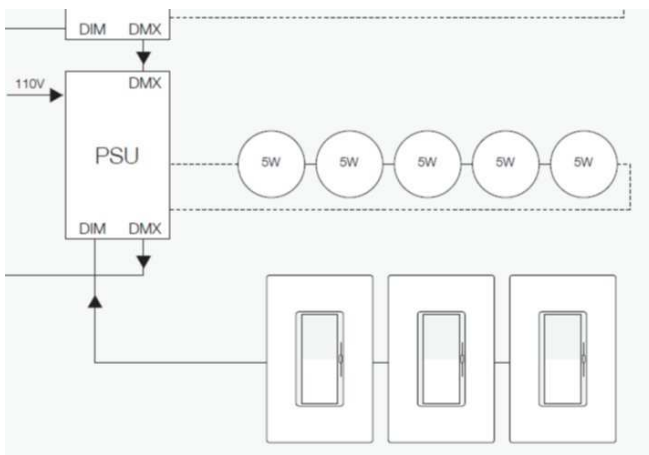
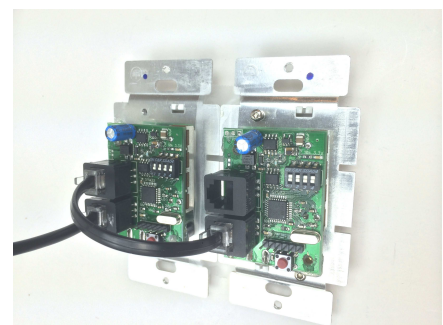
Intended for use with PL series low voltage LED drivers, this switch operates just like any standard residential light switch – however it uses DMX512 for communication with other devices. It is the easiest to install indoor lighting solution. The PL-DMX-Switch takes power from the any PL series LED driver, up to 1000 ft over standard CAT-3 2 pair telephone wire.

The PL-DMX-Switch can be daisy chained with up to 8 on one telephone type wire connection. Each one has 16 addresses for controlling 16 PL-Drivers individually or 8 PL-Drivers in N-way mode. N-Way switching controls lights from opposite sides of a room, or long hallway, or across stairways on multiple floors with one switch per floor.

Fully scalable to a 512 light DMX universe, this building block in a 100% low voltage led lighting solution allows low cost installations of light in new and remodel construction.

Specifications

Power and data source and load	RJ 11 female connectors (2)
Power Protocol	Passive
Input voltage range	12v to 57 volts
Power pins in	1 and 4 from PL type LED driver
Data pins (DMX512 over Rj11)	2 and 3
Max Power consumption	50 milliwatts
Addressing	16 unit addresses via dip switch 8 unit addresses in N-way mode
Protection	Reverse protection and static protection
Operating Temperature	0°C ~ 50°C
Size	115 x 46 x 50 mm



PL-Driver